

▶ YOUR RELIABLE PARTNER



SITEX D3206

Portable X-Ray Generators



TELEDYNE ICM
Everywhereyoulook™

Part of the Teledyne Imaging Group

Quality, Performance, Ruggedness



DIRECTIONAL,
PANORAMIC &
CRAWLER



IP 65



50 TO 360 KV



RUGGEDIZED



AUTO-CORRECTION
X-RAY BEAM

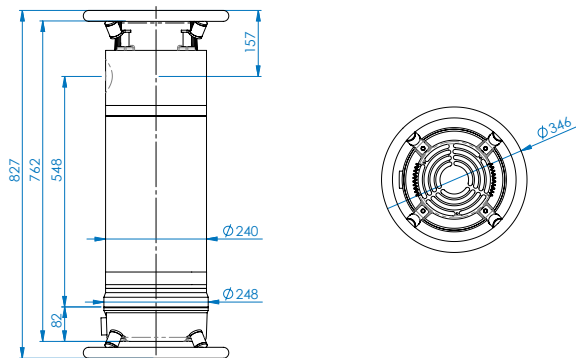
FEATURES

| | Unit | SITEX D3206 |
|--|--------|----------------------------------|
| Beam | - | Directional |
| Power supply | - | Mains |
| Output voltage range | kV | 90 to 320 |
| Tube current range | mA | 1 to 6 |
| Tube current at full output | mA | 6.0 |
| Maximum power at the anode | W | N.A. |
| Constant power mode | - | No |
| Working cycle at 30°C (*) | % | 100 |
| Steel penetration (**) | mm/in | 73 / 2.9 |
| Weight (excluding hand rings) | Kg/lbs | 31 / 68.3 |
| Overall dimensions | mm/in | Ø 346 x 831 / 13.6 x 32.7 |
| Leakage dose at 1 m at full output | mSv/h | < 10 |
| Optical focal spot according to IEC336 | mm/in | 2.5 x 2.5 / 0.1 x 0.1 |
| Maximum useful angle | ° | 60 x 40 elliptical |
| Inherent filtration | mm/in | 2.5 (Al) + 0.4 (Ni) / 0.1 + 0.02 |
| Waterproof level | - | IP65 |
| Operating temperature | °C/F° | -25 to +70 / -13 to +158 |
| Storage temperature | °C/F° | -40 to +80 / -40 to +176 |
| Guard rings | - | 2 |

(*) Open air - airstream 5m/sec.

(**) 700 mm FFD, 20 min., AA400, D=1.5 for SITEX

DRAWINGS



SCU

| | Unit | SCU 2.0 |
|--|--------------|---------------------------------------|
| Supply voltage range | VAC | 90 to 264 |
| Supply frequency range | Hz | 45 to 66 |
| Maximum input power | kVA | 2 |
| Cos(phi) / power factor at full power 230Vac | - | 0.98 / 0.98 |
| Type of power supply | - | Mains, generator set, inverter |
| kV accuracy | % | ± 0.5 |
| mA accuracy | % | ± 0.5 |
| kV selection step | kV | 1 |
| mA selection step | mA | 0.1 |
| Time selection step | s | 1 |
| Timer range | min:sec | 00:15 to 99:59 |
| Operating weight | Kg/lbs | 14.6 / 32.2 |
| Overall size | mm³/in³ | 355 14 (W) x 157 6 (H) x 525 20.7 (D) |
| Operating temperature range | °C/F° | -25 to +55 / -13 to 131 |
| Storage temperature range | °C/F° | -40 to +80 / -40 to 176 |
| Ingress protection | - | IP65 |
| System | - | Industrial PC boards |
| Control of mains voltage and frequency | - | Yes |
| Control of ambient temperature | - | Yes |
| Logging of shots history | - | Yes |
| Pre-warning time | s | 3 to 99 |
| Pilot light indicators | - | 3 (green, red, yellow) |
| Independent START and STOP buttons | - | YES |
| Two positions safety key rotary switch | - | Standby - X-ray |
| Two position main rotary switch | - | Mains On-Off |
| Vacuum Fluorescent Display | Line x char. | 2 x 20 with anti-reflection screen |

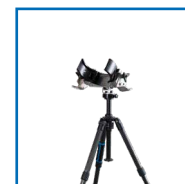
ACCESSORIES



ALUCASE



FLASHING LIGHT



TRIPOD

All specifications are non contractual and subject to change without prior notice.

TELEDYNE ICM

Zoning Les Plennes / Rue Du Progrès 3 / B-4821 Andrimont (Dison) - Belgium

+32 (0)87 44 01 50 / icm.sales@teledyne.com



TELEDYNE ICM
Everywhereyoulook™

Part of the Teledyne Imaging Group